



204 S. 6th Avenue
 Mansfield, Texas, USA 76063
 817-473-9964
 817-473-0606 fax
 www.chemguard.com



Monitor

Jackrabbit Monitors

Part No. CPM-1250, CPM-1250-S

DESCRIPTION

The CPM-1250 is a low profile durable lightweight aluminum monitor with a full 3" waterway. This unit is ideal for fire department and fire appliance applications. The portable base allows the unit to be dropped in place and left unattended when appropriate. Capable of flows up to 1250 gpm, it is easily adjustable in the horizontal plane and then locked in position by a locking mechanism. There is a safety stop at 30° above the horizontal plane. The vertical travel is controlled by adjustable hand wheel with worm gear drive fitted with grease zerk for easy lubrication. The unit is supplied complete with "stacked tips" and 3" flanged adapter base. Using the interchangeable 3" flanged adapter base, the unit can be mounted to a fire appliance and used as a deck gun. It can then be de-mounted and returned to the portable base and used for ground applications.

FEATURES

CPM-1250

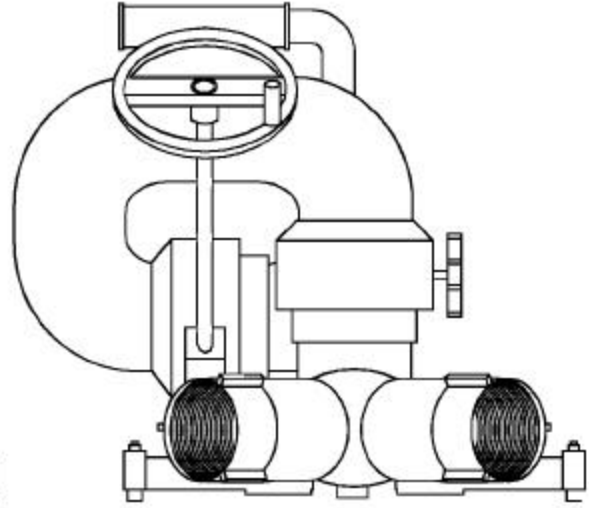
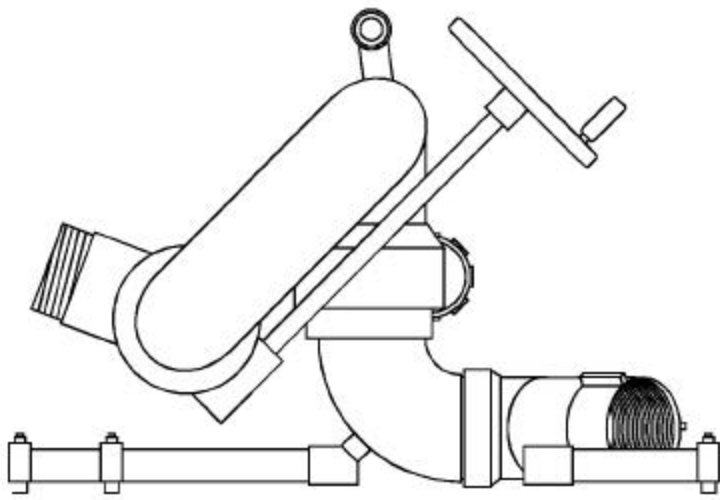
- Full 360° rotation - with truck mount.
- Inlet - 2 x 2½" Standard
 - (1) 3" flanged base (optional)
 - (1) 4" flanged base (optional)
- Stainless steel ball bearings at all rotation joints
- Discharge 2½ male NST
- Red epoxy paint finish
- Liquid filled pressure gage
- Grease fittings for lubrication

ORDERING INFORMATION

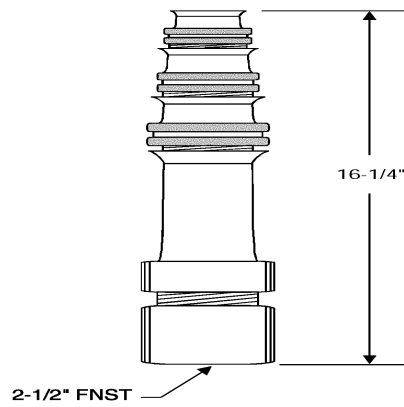
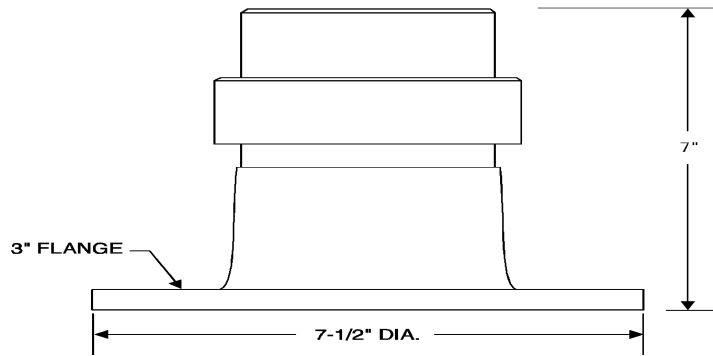
MODEL	Includes
CPM-1250	Monitor, Folding base Restraining strap
CPM-1250-S	Monitor, Folding base, 3" Flange Adapter, Stream Shaper, Stacked tip set, Restraining strap

OPTIONAL/REPLACEMENT PARTS

MODEL	Includes
CPM-1250-FB	Folding base, (2) 2½" FNST Inlet
CPM-1250-3FA	Flange Adapter 3"
CPM-1250-4FA	Flange Adapter 4"
CN-ST	Quad Stacked tip Nozzle Set, 2", 1¾", 1½" 1 "
C-SS	Stream Shape, 2½" FNST and 2½" MNST



JACKRBBT1rv1199



d104rv606