

### QUICK, COST-CUTTING, SAFETY-CONSCIOUS DRUM RACKING

#### The PROBLEMS:

- Hazards of racking heavy drums
- Moving drums on and off upper racks
- Handling drums where a forklift won't fit
- Lifting drums from vertical to horizontal
- Adequate rack space for drum storage

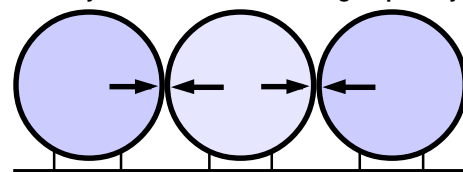
#### The SOLUTION - The affordable MORStak Series

- Rack your drums up to 8.5 feet high!
- Stack drums side by side with virtually zero clearance
- Lift and move drum easily and efficiently
- Simple to operate
- Compact base with 6 foot turning radius
- Capacity: 800 lb. (383 kg.)

#### MORStak Drum Rackers

With the MORStak Drum Racker you can easily and safely lift a horizontal or upright drum from the floor, tilt it to horizontal, transport it, and set it into a drum rack up to 8.5 feet high. Then reverse the entire process to retrieve your drum from the rack.

Virtually Zero-Clearance Racking Capability!



Model 620-115  
Rack up to 8.5 feet  
with Battery  
Powered Lift and Tilt



1. Secure the clamp to grip your drum.



2. Raise your drum. Use MORStak to lift your upright or horizontal drums from the floor.



3. Tilt your drum to horizontal, then transport it to the desired location.



4. Release the clamp, then raise your drum to place it on a rack up to 8.5 feet high on a 4-tier rack.

MORStak replaces expensive lift trucks. It eliminates hazardous "bare fork" handling of drums, upends and down-ends drums, and moves in tighter spaces. MORStak handles a drum with faucet and vent in place so the rack may serve as a multiple drum dispensing station.

The most dense racking is possible because drums need not be separated. Lifting arms fit easily into the spaces below the curvature of the drum. This enables the most efficient use of storage space.

Designed to handle 55 gallon (210 liters) steel or plastic drum with suitable rim. Capacity is 800 Lb. (383 kg).

Two easy-to-use valve handles control the power lift and tilt functions. A visual indicator informs the operator of the recommended height for tipping drums. Special features prevent tilting drum from horizontal until operator secures drum in place. Choices of Air, AC, or 12V DC powered lift and tilt are available.

Rugged two-stage frame of 620 Series provides lift range for a four tier drum rack with top shelf as high as 102" (259 cm). Single-stage 611 Series provides reach for a two tier drum rack with top shelf as high as 58" (147 cm).

MORSE MFG. CO., INC.

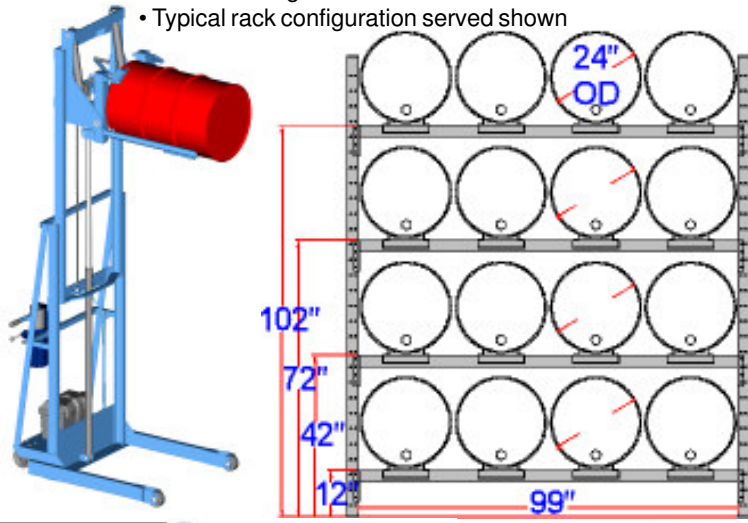


Interstate Products, Inc  
3921 Sawyer Rd, Sarasota FL 34233  
Call us toll free at 1-800-474-7294  
<http://store.interstateproducts.com>

## 611 & 620 SERIES MORStak DRUM RACKERS

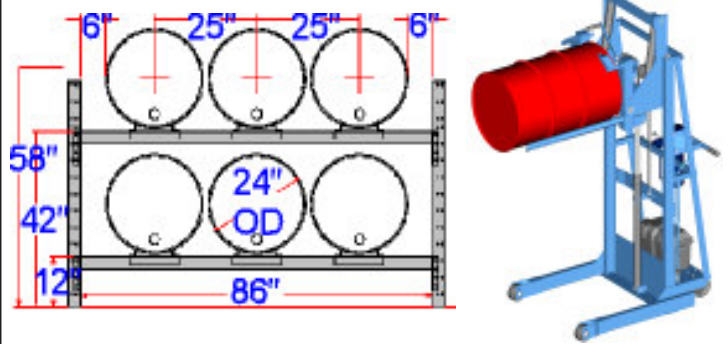
### 620 Series - Two Stage Frame

- Rack 102" High
- Typical rack configuration served shown

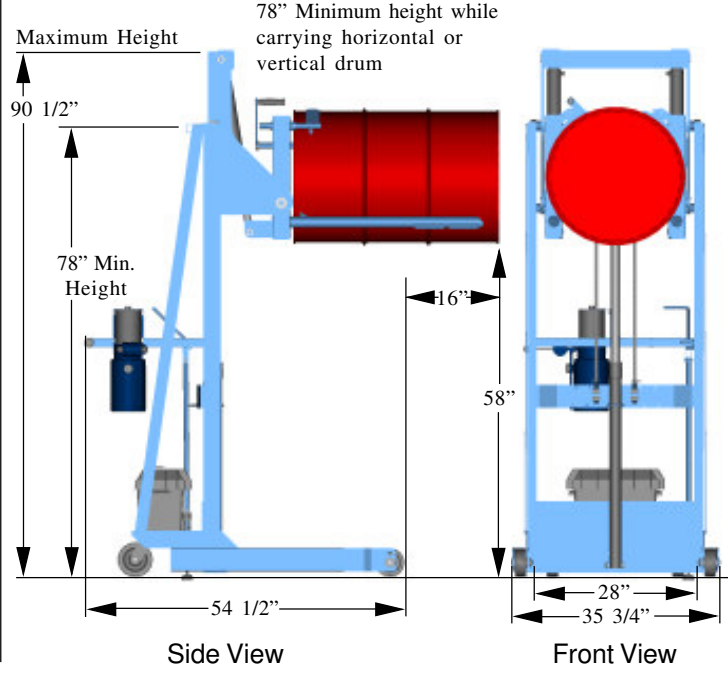
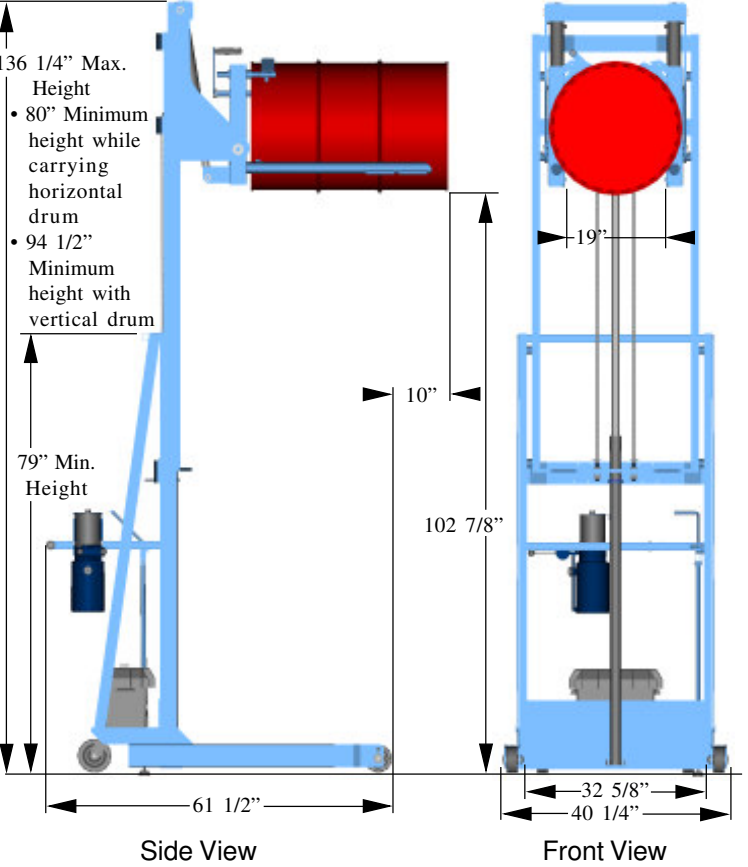


### 611 Series - Single Stage Frame

- Rack 58" High
- Typical rack configuration served shown



MADE  
IN  
U.S.A.



### Power Lift & Tilt Choices on all MORStaks

- 115 - 12V DC battery powered hydraulics (includes charger)
- 114 - Air motor powered hydraulics
- 110 - AC motor powered hydraulics

### MORStak MODEL NUMBERS

MODEL #	POWER SOURCE	FRAME	RACKS TO	BASE DIMENSIONS	SHIP WT.	SHIP DIMENSIONS
620-115	12V DC	2-Stage	102"	60" x 41"	985 Lb.	L 78 W 48 H 83
620-114	AIR	2-Stage	102"	60" x 41"	1050 Lb.	L 78 W 48 H 83
620-110	AC	2-Stage	102"	60" x 41"	999 Lb.	L 78 W 48 H 83
611-115	12V DC	Single Stage	58"	46" x 36"	785 Lb.	L 78 W 43 H 82
611-114	AIR	Single Stage	58"	46" x 36"	950 Lb.	L 78 W 43 H 82
611-110	AC	Single Stage	58"	46" x 36"	799 Lb.	L 78 W 43 H 82

**Drum Pad Kit** (part # 3313-P) is included with all MORStak Models. It allows MORStak to handle 55 gallon plastic drum with top rim. Installing this kit reduces maximum drum cradle width from 19" to 13".

MORSE MFG. CO., INC.

Please contact your Morse dealer:



Interstate Products, Inc  
3921 Sawyer Rd, Sarasota FL 34233  
Call us toll free at 1-800-474-7294  
<http://store.interstateproducts.com>